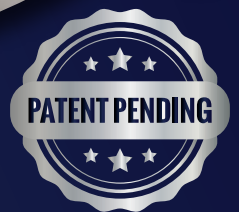
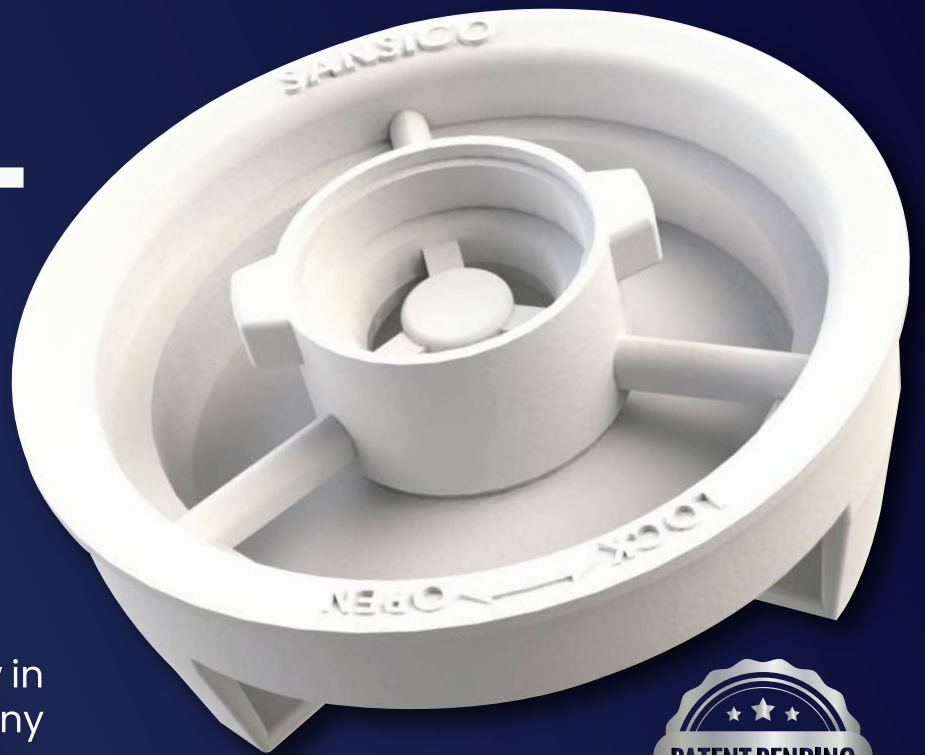


SANSICO[™]

HANSEN[™]

ARCHIDEX
STAR
AWARD
WINNER '23

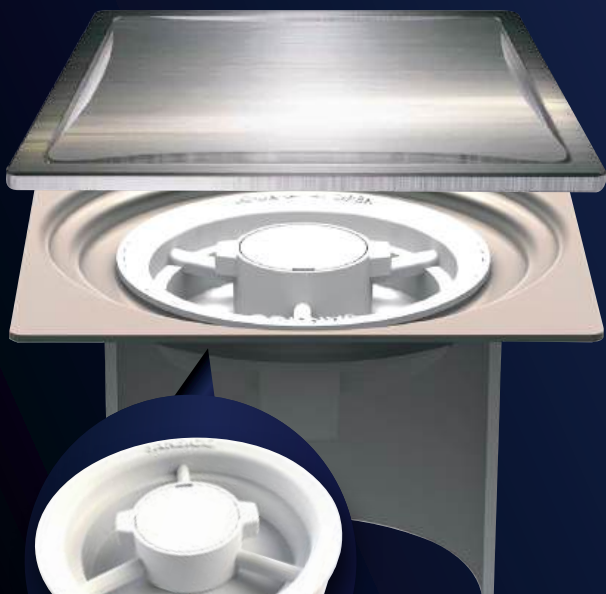
SMART DRAIN DEVICE



SDD is designed to prevent overflow in floor traps. It effectively prevents any potential overflow of wastewater or washing machine detergent bubbles.

SDD ensures that the floor trap does not exceed its capacity, thereby avoiding any mess or inconvenience.

SPOTLESS & HYGENIC



EASY INSTALLATION



Prevent Cockroaches & Other Insects



Prevent Washing Machine Detergent & Dishwasher Bubbles Overflow



Prevent Wastewater Overflow

How does SDD operate?



INNOVATIVE FEATURES

Based on Magnetic Levitation concept, SDD is made up entirely of ABS material for cost effectiveness & equipped with Neodymium Magnets (world's strongest magnets) that can last for 2 decades.

With its normal closed position, wastewater will push the disc to open due to gravity discharge. Once the wastewater has been discharged, the disc will return to its closed position (triggered by magnetic attraction).

- Prevents wastewater from overflow.
- Prevents washing machine detergent & dish washer bubbles from overflow.
- Prevent cockroaches & other insects from entering or escaping.
- Provide spotless & hygienic environment.
- Compact, elegant, user-friendly & economical.



**Disc in closed position
(Prevent any overflow)**



**Disc in open position
(wastewater discharge)**

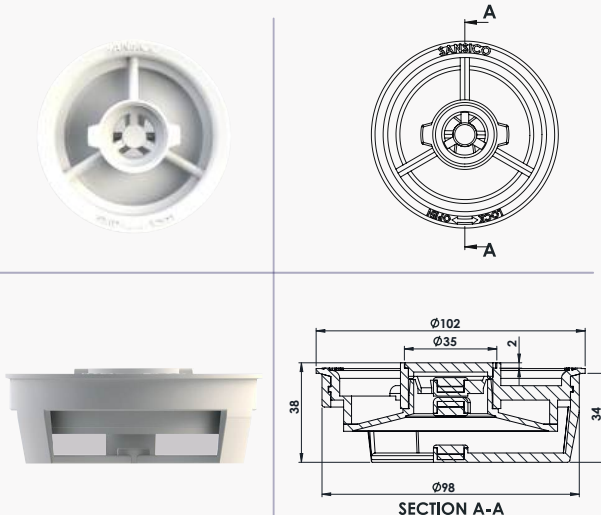
Suitable for Sansico collar and grating



Technical Drawings

Code

SDD



SANSICO

HANSEN

Sansico Industries Sdn Bhd (448766-D)

No. 20, Jalan Uranus AK U5/AK,
Taman Subang Impian, Seksyen U5,
40150 Shah Alam, Selangor.

Tel : (603) 7859 7299 (Hunting Line)

Fax : (603) 7859 0299

E-mail : enquiry@sansico.com.my

Website : www.sansico.com.my

